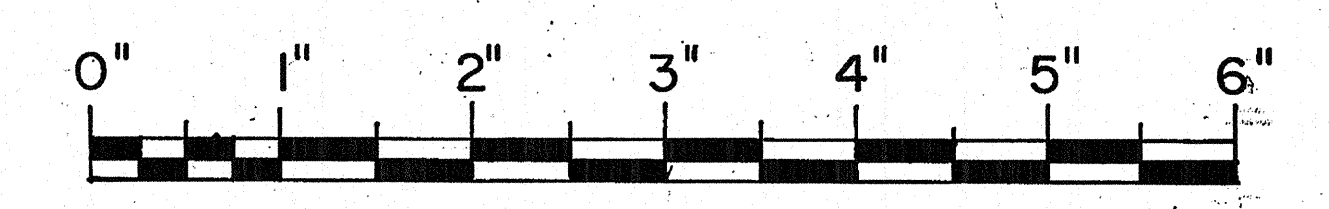
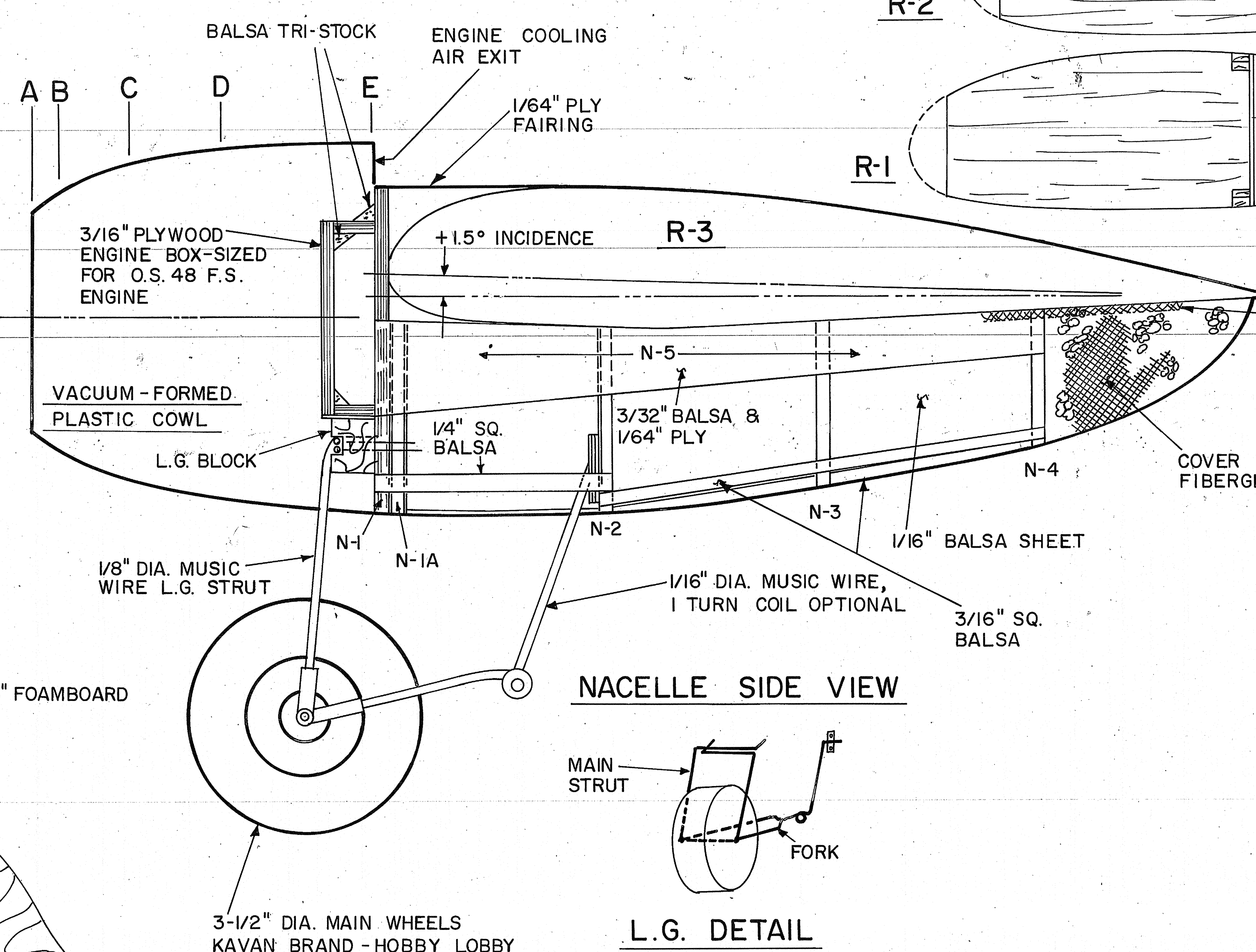
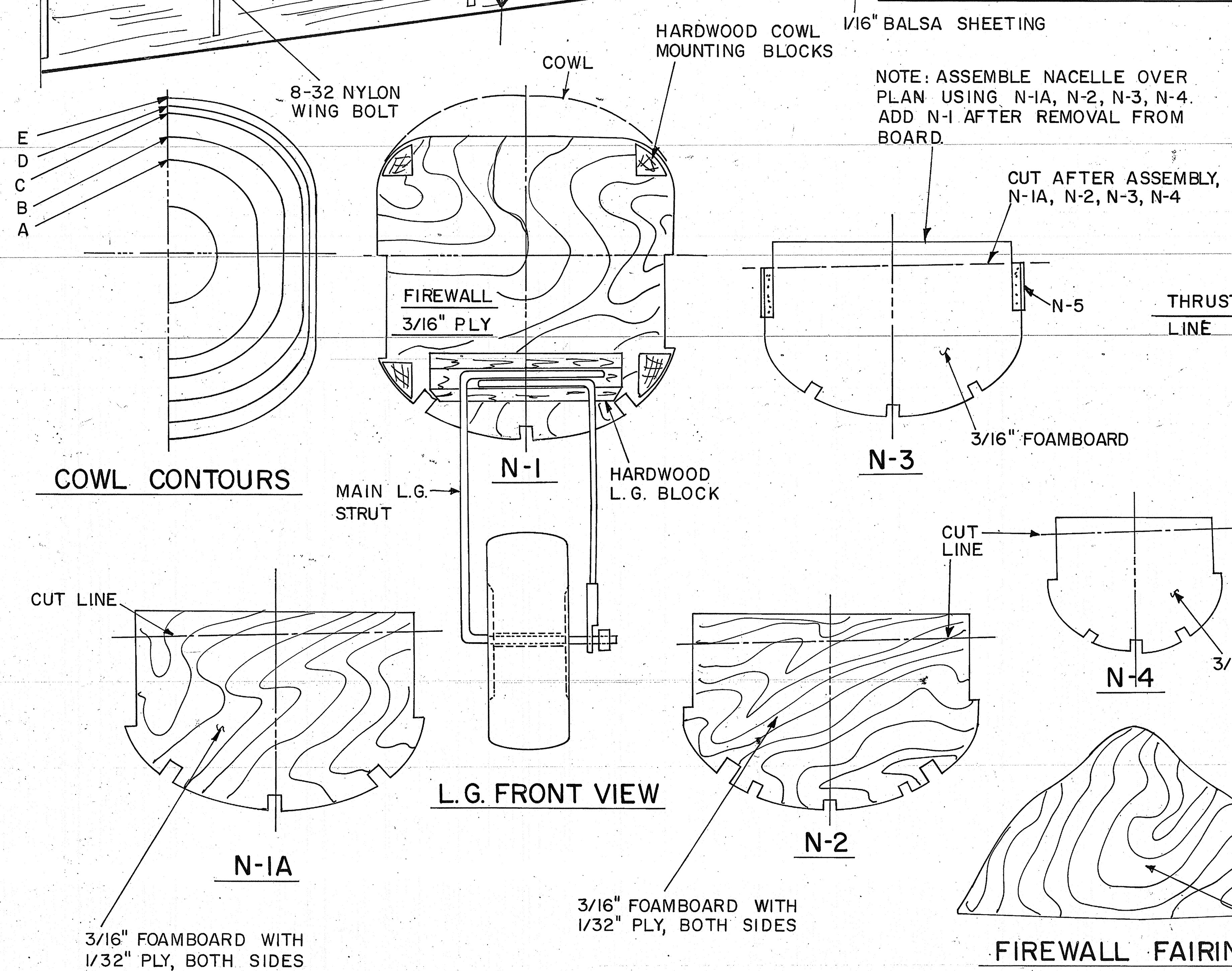
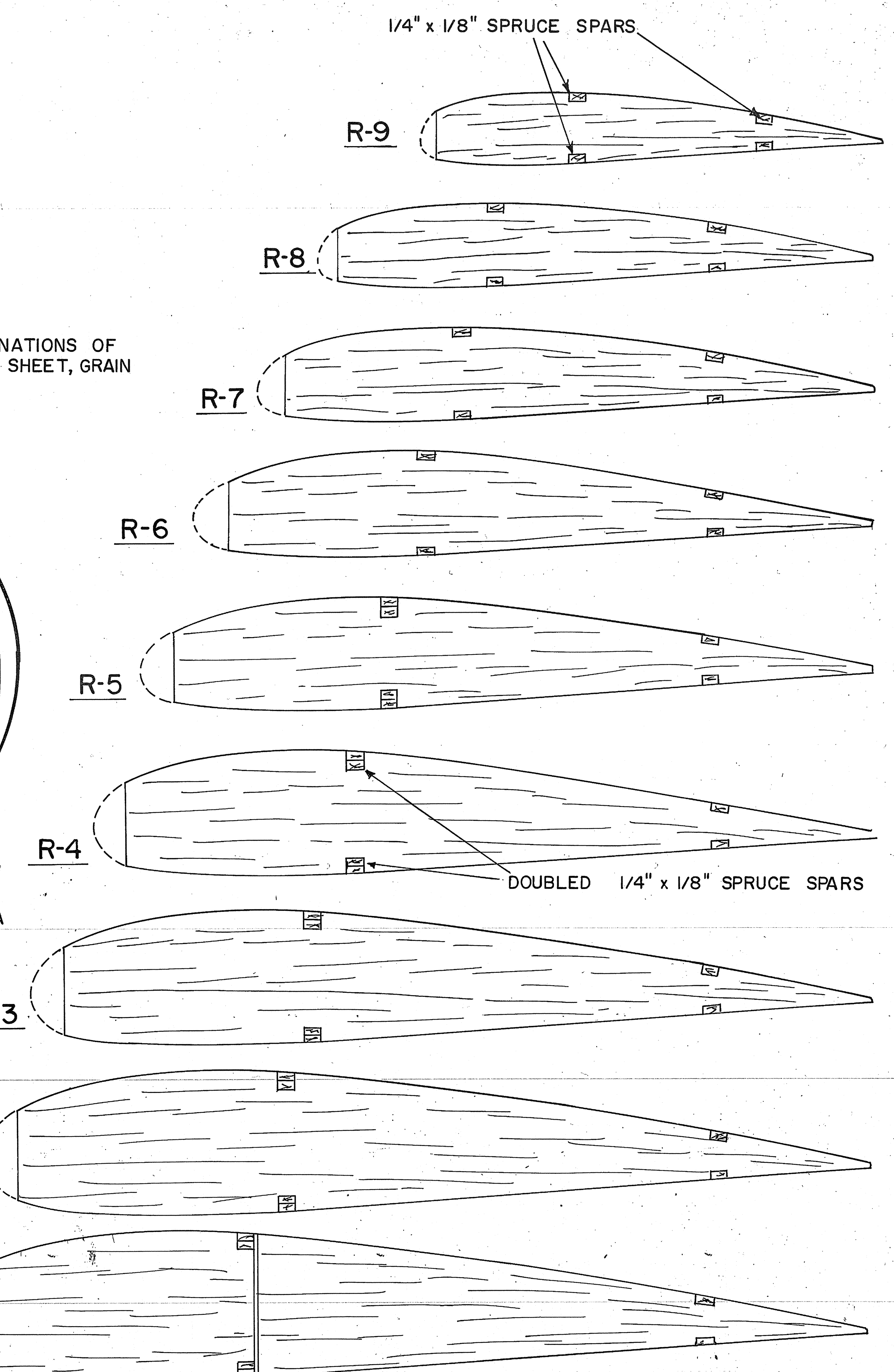
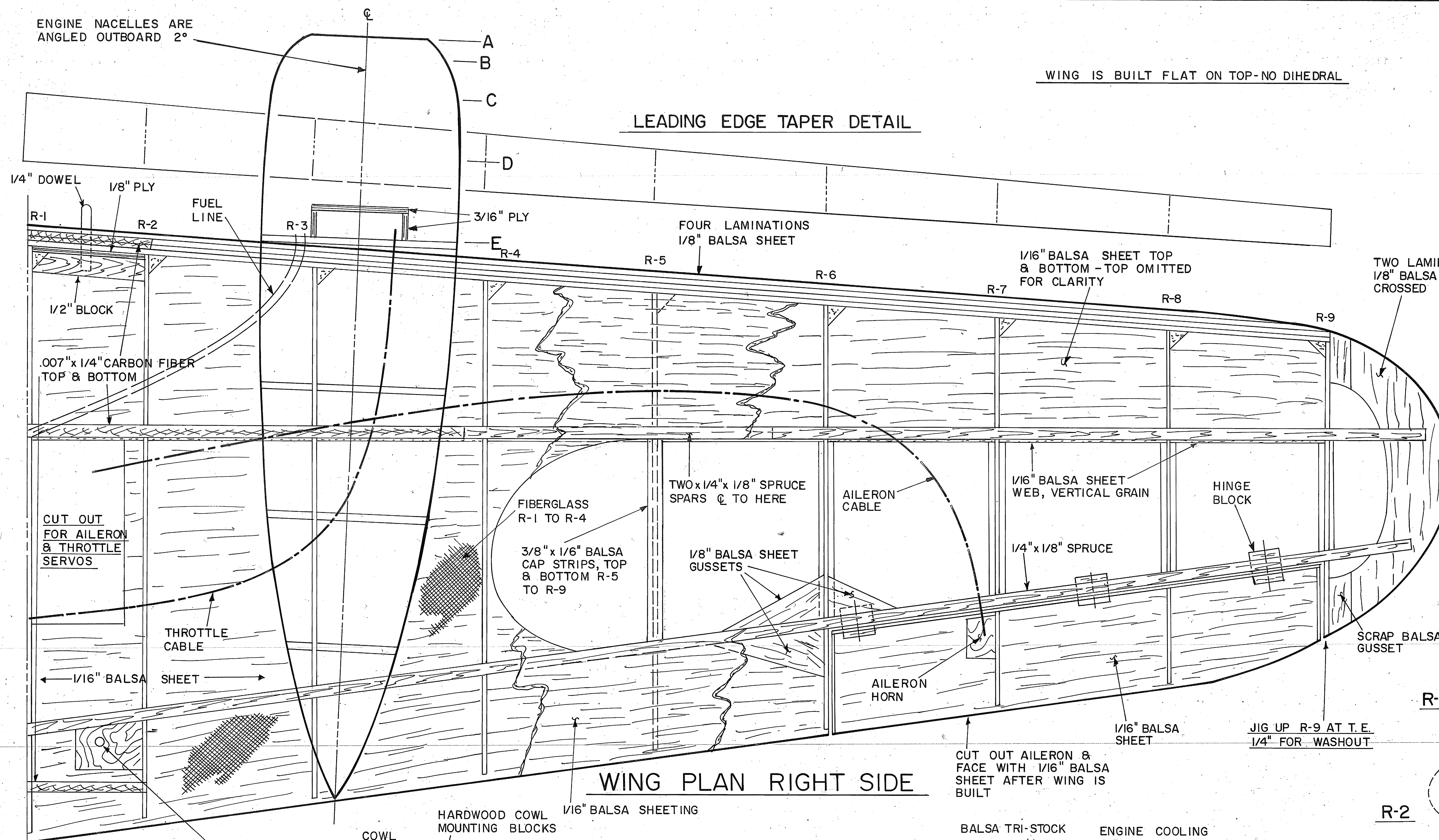


ENGINE NACELLES ARE ANGLED OUTBOARD 2°

WING IS BUILT FLAT ON TOP-NO DIHEDRAL

LEADING EDGE TAPER DETAIL



MODEL AIRPLANE NEWS
 POLISH TWIN ATTACK FIGHTER
 PZL-P 38 WOLF
 DESIGNED BY ROY DAY
 DRAWN BY ROY DAY
 INKED PLANS BY JOE DEMARCO.
 ALL RIGHTS RESERVED SHEET 2 OF 2 FSP 03991